

USING HOOKS AND HANGERS AS SHOWN HERE IS RECOMMENDED TO INITIALLY SUPPORT THE PLYWOOD PANELS WHEN HURRICANE LATCHES ARE BEING INSTALLED, AND WHEN QUICKLY GETTING THE PANELS UP AT HURRICANE TIME IS OF PARAMOUNT IMPORTANCE. WHEN HOOKS AND HANGERS ARE IN PLACE, THE WEIGHT OF THE PANELS IS QUICKLY TRANSFERRED TO THE HOOKS, LEAVING HANDS FREE TO EASILY LOCK DOWN EACH LATCH.

HOOK AND HANGER INSTALLATION PROCEDURE, FLUSH-MOUNTED PANELS INSIDE WOOD FRAMING:

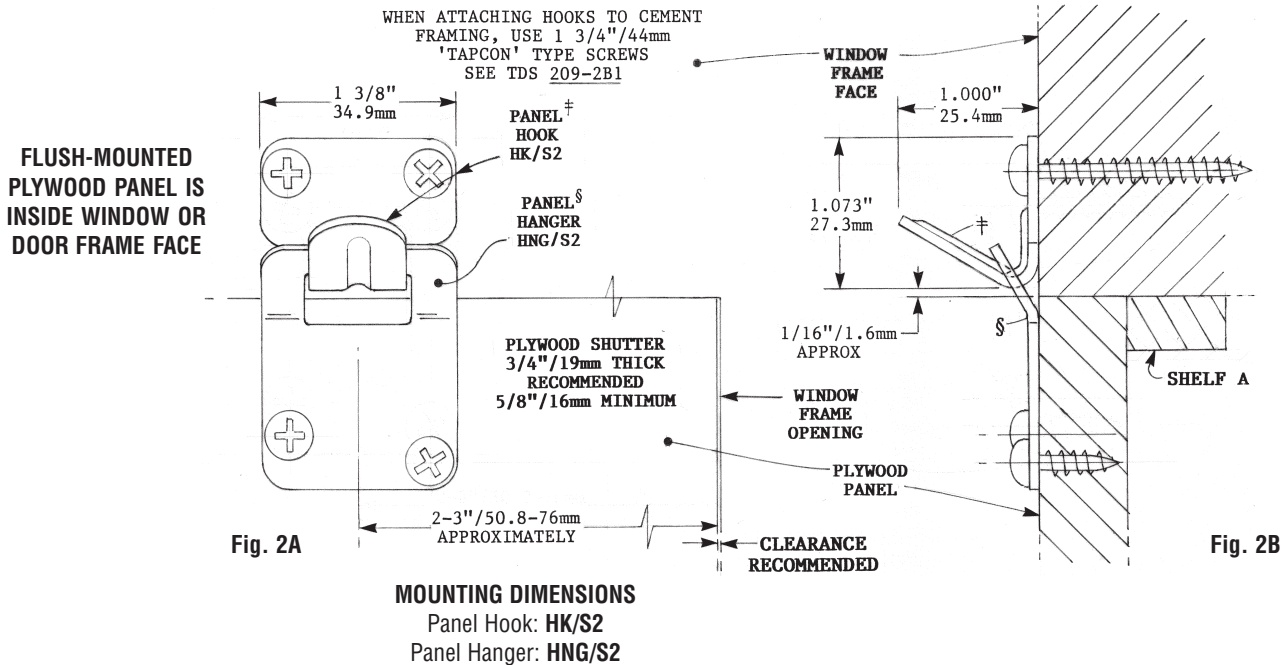
1. Cut the panel (usually plywood) to fit within the window or door opening.
2. Space evenly and place the hooks (HK/S2) onto the window or door frame face about 1/16"/1.6mm above the opening (see TDSs 209-2A1 and 209-2B1). Mark and pilot drill into the frame face and screw the hooks in place.
3. Set the panel inside the opening and wedge it upward against the top of the opening. Set the hangers (HNG/S2) onto the hooks, mark and pilot drill holes in the plywood panel and screw hangers in place.
4. Where a support shelf (see 'A' in Fig. 2B) does not exist within the opening an appropriate support strip can be added, or stops (STP-1) can be attached to the panel edge (Fig. 4A, TDSs 207-2A1 and -2B1).

The panel is now supported, allowing the Norse Hurricane Latches to be mounted with ease.



Fig. 1 Here the Norse hook and hanger supports a plywood panel mounted flush inside the window frame.

The Norse hook and hanger shown here are designed to accept hurricane panels (plywood or other materials) to 3/4"/19mm thick. **RECOMMENDED PANEL THICKNESSES: 3/4"/19MM. MINIMUM RECOMMENDED PANEL THICKNESS: 5/8"/16MM**



THE PLYWOOD PANEL ILLUSTRATED HERE IS FLUSH-MOUNTED INSIDE THE WINDOW FRAME OPENING. SEE TDSs 209-1A1 AND 209-1B1 FOR SURFACE-MOUNTED PANELS. FOR FLUSH MOUNTING IN CONCRETE SEE TDS 209-2B1.